

NOBLELIFT



Scan it,

For more information

Low Lift Order Picke

OPL25N

SPARE PARTS LIST



Version: 06/2020

From truck identification number :

20200302018 Spare Parts List

OPL25N-BPT-001-EN

Please order spare parts from an authorized dealer of Noblelift Intelligent Equipment Co., LTD.

In order to avoid wrong shipping, all the orders of parts should be marked with the following items:

- Truck model, manufacturing number and year of manufacture.
- When ordering spare parts for mast, hydraulic parts, steer bridge and motor, the manufacturing number shall be noted.
- The article number for spare parts of Noblelift are shown in the spare parts list. Please also pay attention to the mark of supply status and order quantity, etc. (the number listed in "Mark" column of the spare parts list).

"Mark" column:

The unmarked number indicates the lead time for these parts is short.

Number 1: Supply as package. Indicating that supply the small parts or sealing parts as packages, with its minimum quantity for each package, the lead time for these spare parts is short.

Number 2: Supply with limit. Indicating that these parts are not in stock and will be prepared for production after receiving the order from the customer. The lead time may be long.

Number 3: Phasing out supply. Indicating that due to technical improvements, these parts are replaced by new parts and will not be supplied after current stock run out. Please check the corresponding explanations.

Number 4: Supply as assembly. Indicating that these parts are assembly parts specified by the manufacturing process, which cannot be supplied as single part.

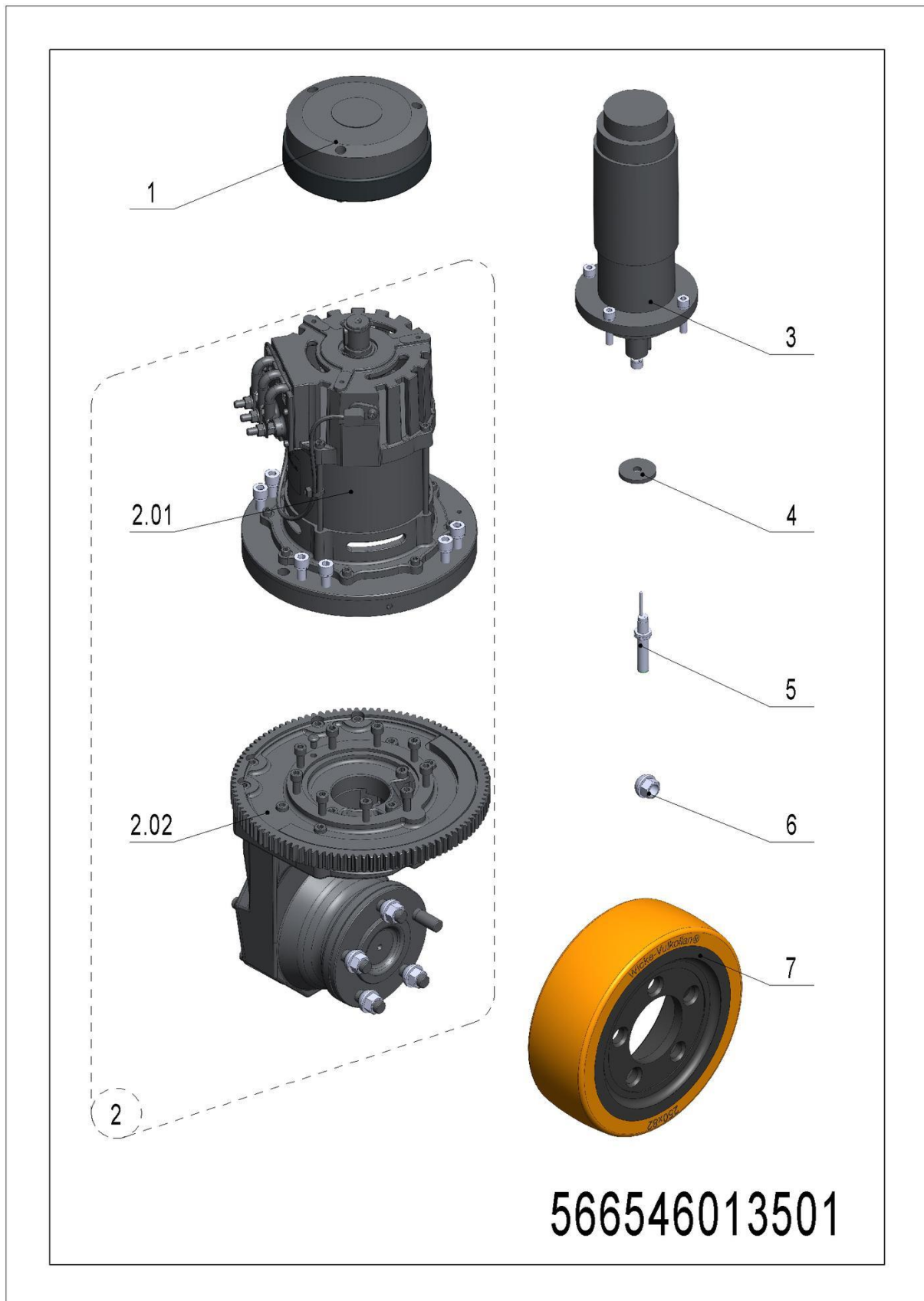
Number 5: Check other lists. This list is the property of Noblelift and can be shared under the confidential agreement only, Noblelift has the right to claim for compensation. Copy is not allowed without the permission of Noblelift. The figures are not limited by the original design structure. Noblelift Intelligent Equipment Co., LTD reserves the right to improve the products to adapt to the continuous progress of technology.

Table of Contents

Chapter 1: Drive system	5
01 Drive unit (566546013501)	5
Chapter 2: Hydraulic system	7
01 Hydraulic assembly (566546024001)	7
02 Hydraulic power unit (5665460224002)	9
03 Hydraulic assembly (566546024501)	11
04 Hydraulic power unit (5665460245002)	13
Chapter 3: Truck structure	15
01 Truck frame (566546021501)	15
02 Platform (566546018001)	17
03 Platform (566546018002)	19
04 Side wheel (566546016501)	21
05 Fork carriage (566546038501)	23
Chapter 4: Steering system, braking system, wheels	25
01 Operating panel (566546010001)	25
02 Tiller head (566546010002)	27
Chapter 5: Electrical parts	29
01 Electronic control components (566546033001)	29
02 Wire harness assembly (566546033002)	31
03 Charger (566546036501)	33
04 Traction battery (566546037001)	35
Chapter 6: Others	37
01 Labels and decals (US) (566546047001)	37
02 Labels and decals (EU) (566546047002)	40
Appendix	42
01 Electrical circuit diagram (standard)	42
02 Electrical circuit diagram - (optional)	43
03 Hydraulic circuit diagram	44
04 Easy worn parts list	45

Chapter 1: Drive system

01 Drive unit (566546013501)



1= Supply as package 2= Supply with limit 3= Phasing out supply 4= Supply as assembly 5= Check other lists

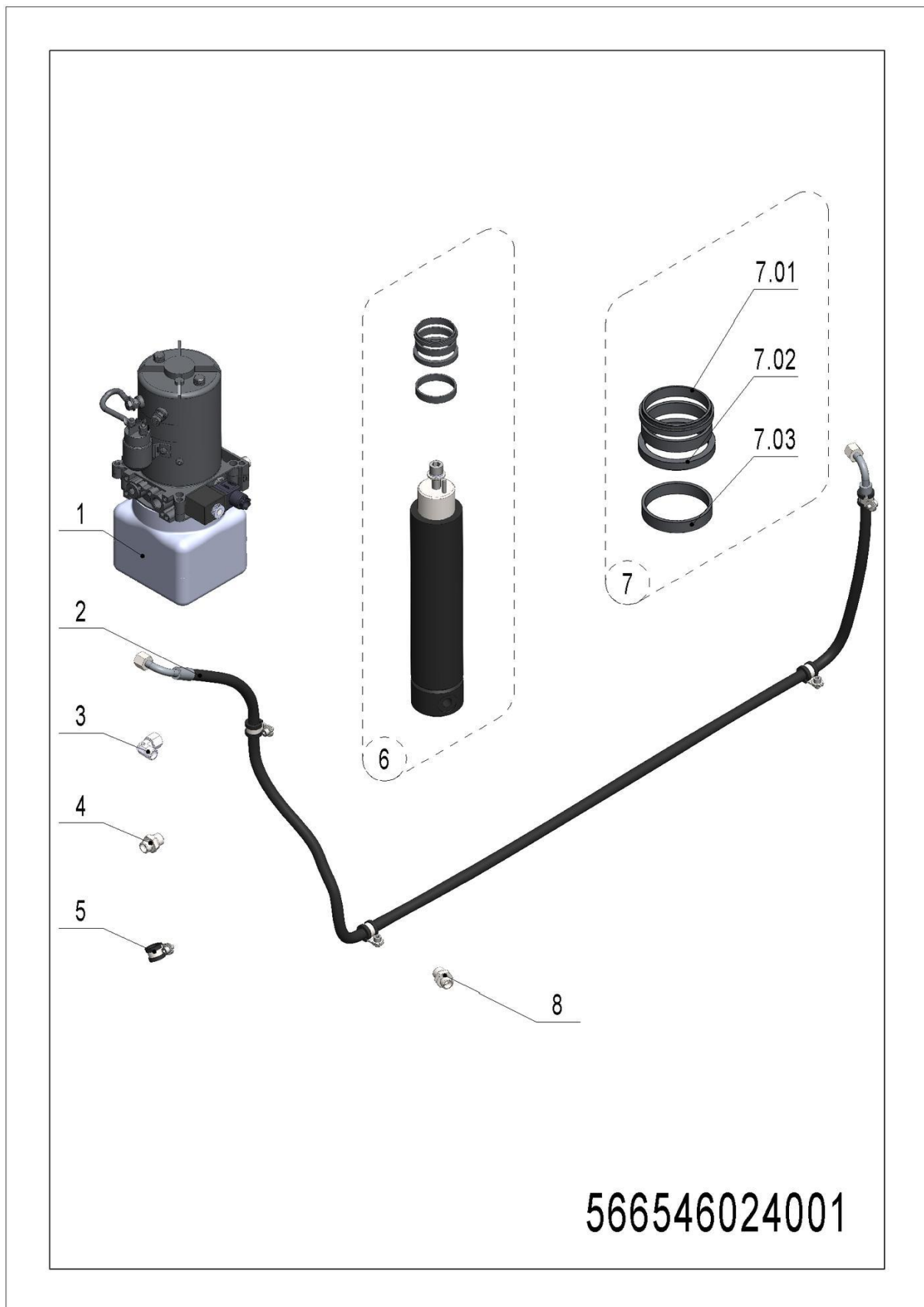
01 Drive unit (566546013501)

No.	Art No.	Mark	Description	Qty.	Substitute No.	Note
1	940700100002		Electromagnetic brake 24V32NM	1		
2	940900600004		Drive assembly AC2.6KW	1		
2.01	565998510002	2	Motor	1		
2.02	565998510003	2	Gear	1		
3	920900100050		Motor (DC) Z90DPN24400-30S	1		
4	506013520001		Washer	1		
5	565933510001		Proximity switch Fi4-M12-ON6L-L70	1		
6	275015520005		Nut M14x1.5	5		
7	940300400002		Drive wheel Φ 250x82-154005	1		

1= Supply as package 2= Supply with limit 3= Phasing out supply 4= Supply as assembly 5= Check other lists

Chapter 2: Hydraulic system

01 Hydraulic assembly (566546024001)

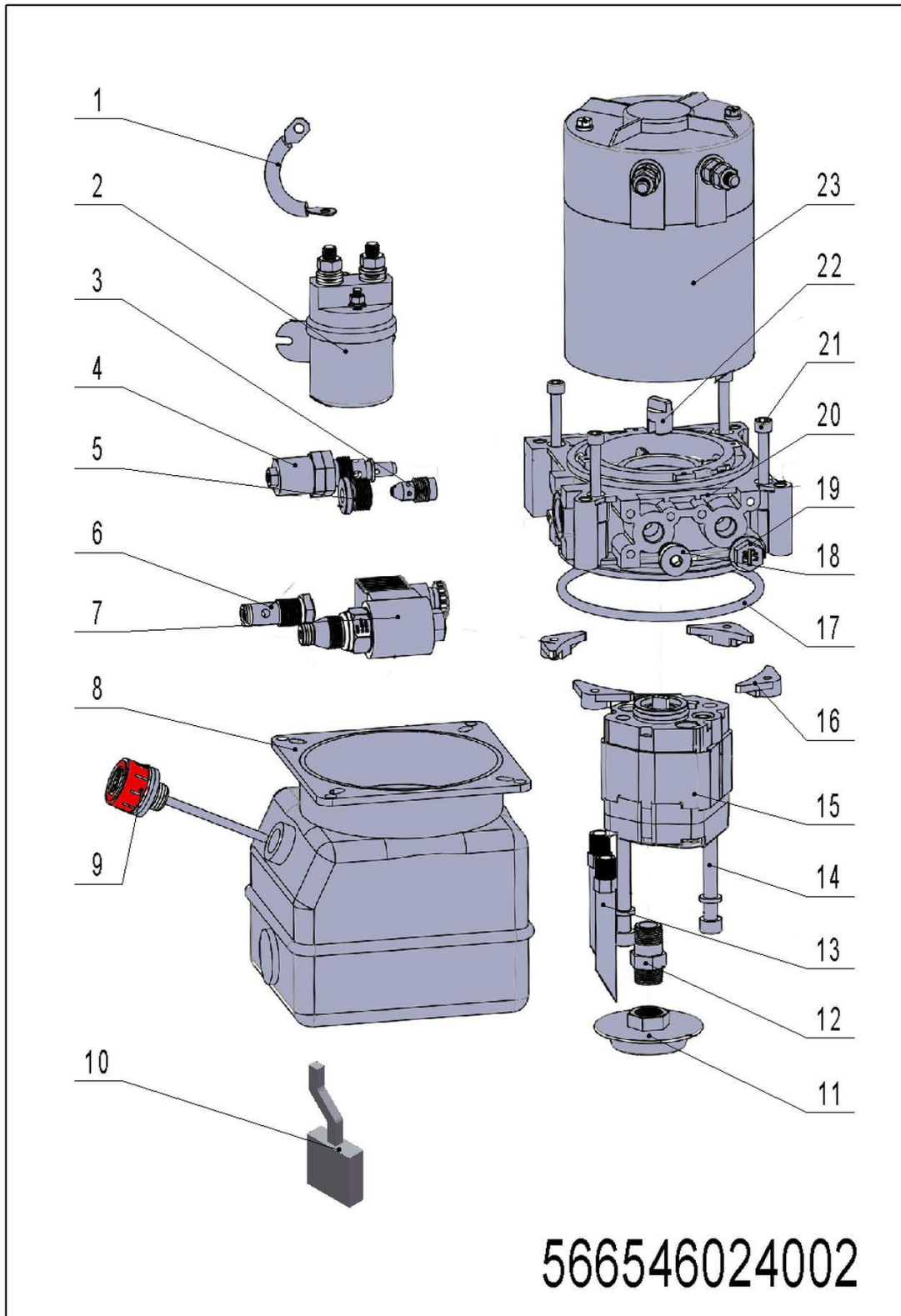


1= Supply as package 2= Supply with limit 3= Phasing out supply 4= Supply as assembly 5= Check other lists

01 Hydraulic assembly (566546024001)

No.	Art No.	Mark	Description	Qty.	Substitute No.	Note
1	950900100024		Hydraulic power 24V2.2KW2.0cc	1		Check 566546024002
2	566524020001		Hydraulic pipe assembly L1950-1SC-24°	1		
3	950400200003		Joint 10-2xM16x1.5-24°	1		
4	950400300007		Joint 10-G3/8-M16x1.5-24°	1		
5	951000100003		Pipe clamp YGE rubber coating 15	5		
6	505724010001		Cylinder Ø54xØ50x120	1		
7	505798510001		Seals	1		
7.01	505798520003		Dust proof ring	1		
7.02	505798520001		Support ring	2		
7.03	505798520002		Yseal	1		
8	950400400003		Joint 10-2xM16x1.5-24°	1		

1= Supply as package 2= Supply with limit 3= Phasing out supply 4= Supply as assembly 5= Check other lists

02 Hydraulic power unit (5665460224002)

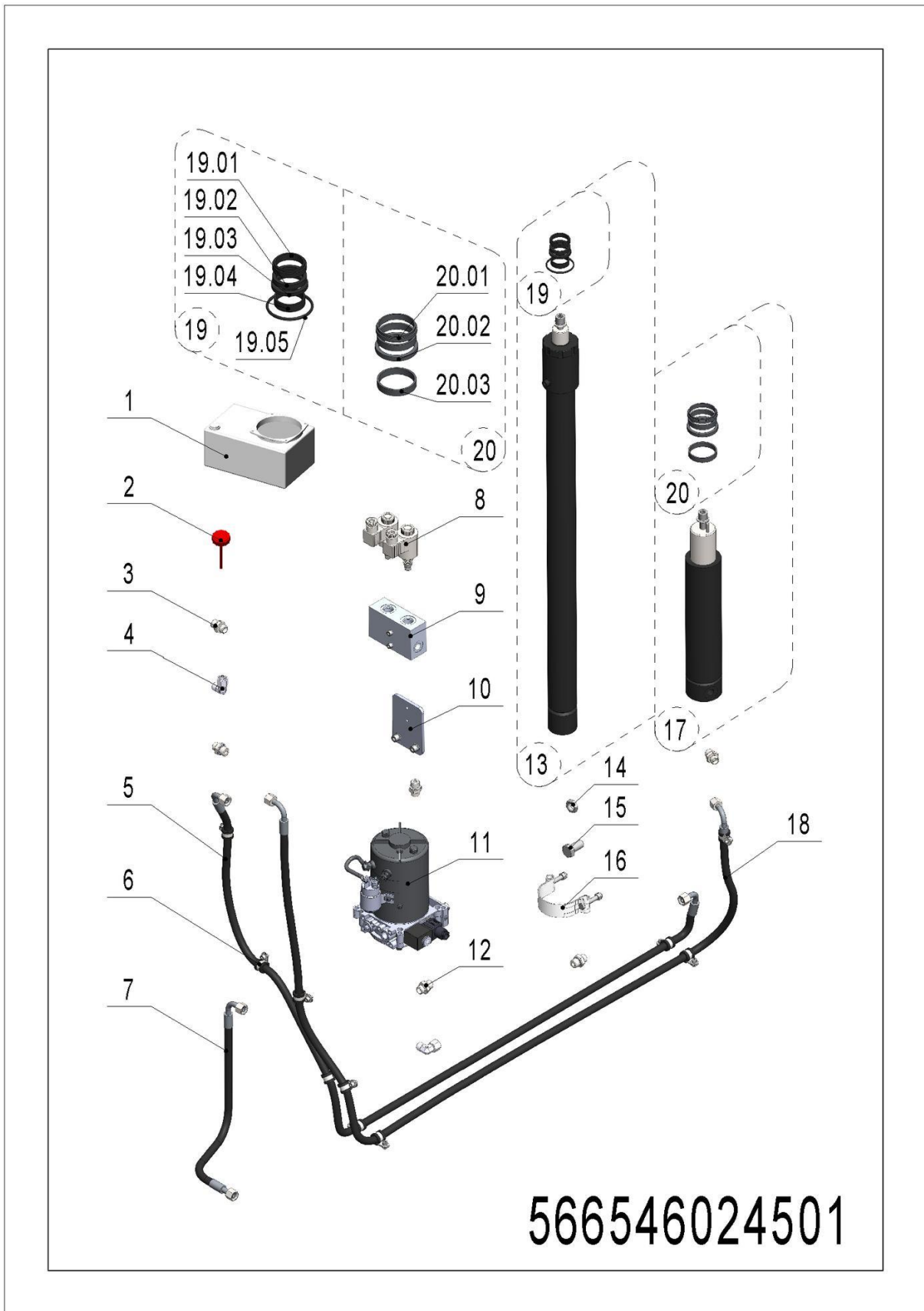
1= Supply as package 2= Supply with limit 3= Phasing out supply 4= Supply as assembly 5= Check other lists

02 Hydraulic power unit (5665460224002)

No.	Art No.	Mark	Description	Qty.	Substitute No.	Note
1	505798510004		Linking cable	1		
2	532098510002		Starting switch	1		
3	505798510006		Pressure-compensated valve	1		
4	505798510007		Overflow valve	1		
5	402698520020		Plug	1		
6	505798510012		One-way valve	1		
7	532098510006		Control valve	1		
8	505798520009		Oil tank	1		
9	505698520047		Oil tank cap	1		
10	505798510013		Carbon brush	4		
11	402698520010		Filter	1		
12	505798520010		Oil suction pipe	1		
13	505798520012		Oil return pipe	2		
14	910200200070		Bolt	2		
15	532098510000		Gear pump	1		
16	505798520008		Nut	4		
17	910800100088		O ring	1		
18	505798520014		Plug	1		
19	505798520015		Plug	1		
20	505798520005		Valve block	1		
21	910200200042		Bolt	4		
22	505798520018		Coupling	1		
23	532098510001		Motor	1		

1= Supply as package 2= Supply with limit 3= Phasing out supply 4= Supply as assembly 5= Check other lists

03 Hydraulic assembly (566546024501)

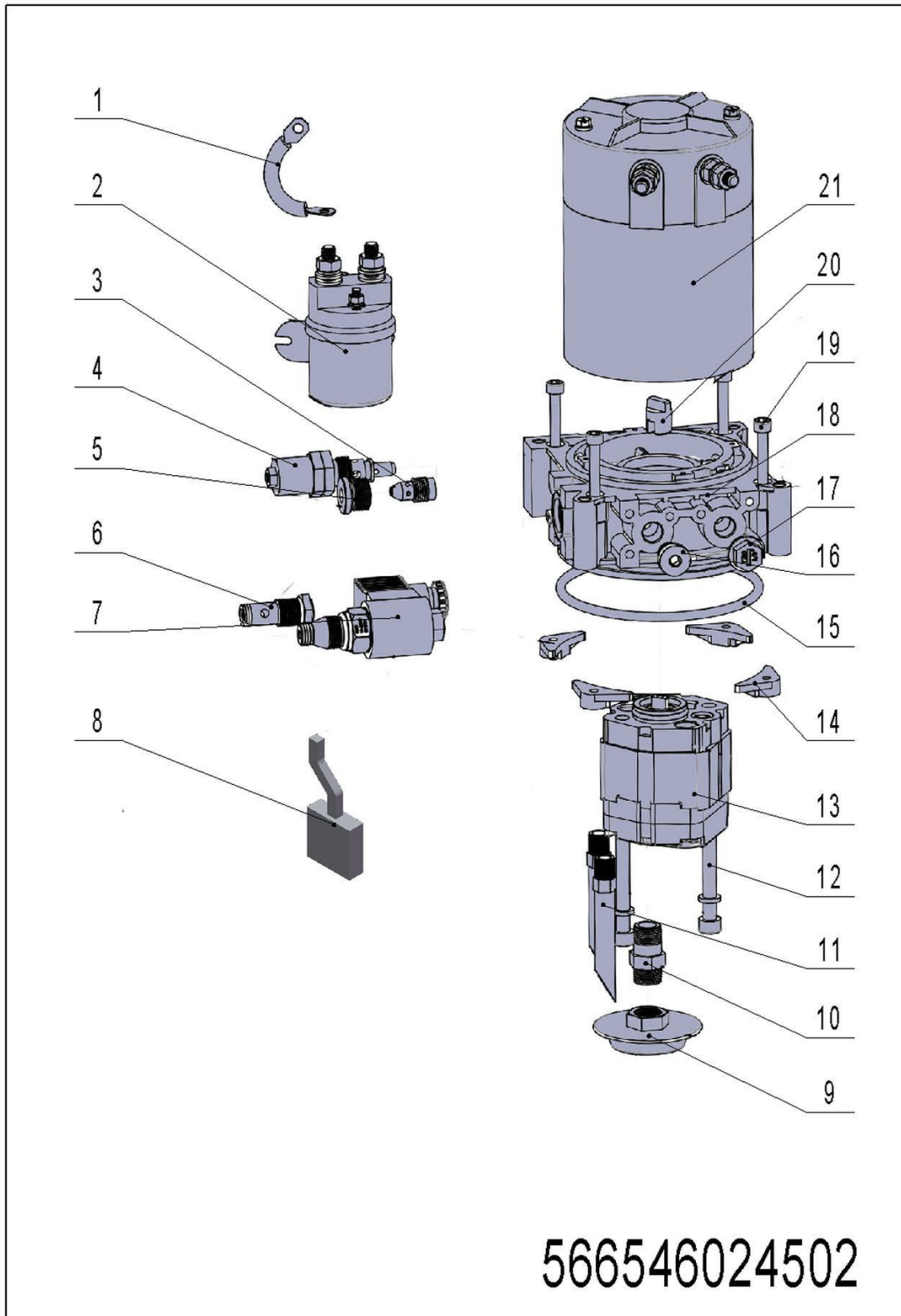


1= Supply as package 2= Supply with limit 3= Phasing out supply 4= Supply as assembly 5= Check other lists

03 Hydraulic assembly (566546024501)

No.	Art No.	Mark	Description	Qty.	Substitute No.	Note
1	566519010001		Oil tank welding	1		
2	951100200001		Plug M18x1.5	1		
3	950400400003		Joint 10-2xM16x1.5-24°	5		
4	950400200003		Joint 10-2xM16x1.5-24°	1		
5	566524520003		Hydraulic pipe assembly L1900-1SC-24°	1		
6	951000100003		Pipe clamp YGE rubber coating 15	10		
7	566524520001		Hydraulic pipe assembly L500-1SC-24°	1		
8	950700200003		Electromagnetic directional valve SDV1-024DC	2		
9	560524020001		Valve block	1		
10	566521520053		Linking plate	1		
11	950900100045		Hydraulic power 24V2.2KW2.0cc	1		Check 566546024502
12	950400300007		Joint G3/8-M16x1.5-24°	1		
13	566524510001		Cylinder Ø45xØ32x740	1		
14	910300300008		Nut GB6172.1-M16-05	1		
15	910100300068		Bolt GB5783-M16x30-8.8	1		
16	940800600002		Hoop kits Ø80	1		
17	505724010001		Cylinder Ø54xØ50x120	1		
18	566524520002		Hydraulic pipe assembly L2090-1SC-24°	1		
19	566598510000		Seals	1		
19.01	534498520026		Dust proof ring 32x40x5/6.5	1		
19.02	534498520027		Seal for axle 32x42x6/7	1		
19.03	534498520028		Step seal 32x42.7x4.2	1		
19.04	534498520029		Support ring for axle 32x36x10	1		
19.05	910800100093		O ring-outer 49.4x3.1	1		
20	505798510001		Seal kits	1		
20.01	505798520003		Dust proof ring	1		
20.02	505798520001		Support ring	2		
20.03	505798520002		Yseal	1		

1= Supply as package 2= Supply with limit 3= Phasing out supply 4= Supply as assembly 5= Check other lists

04 Hydraulic power unit (566546024502)

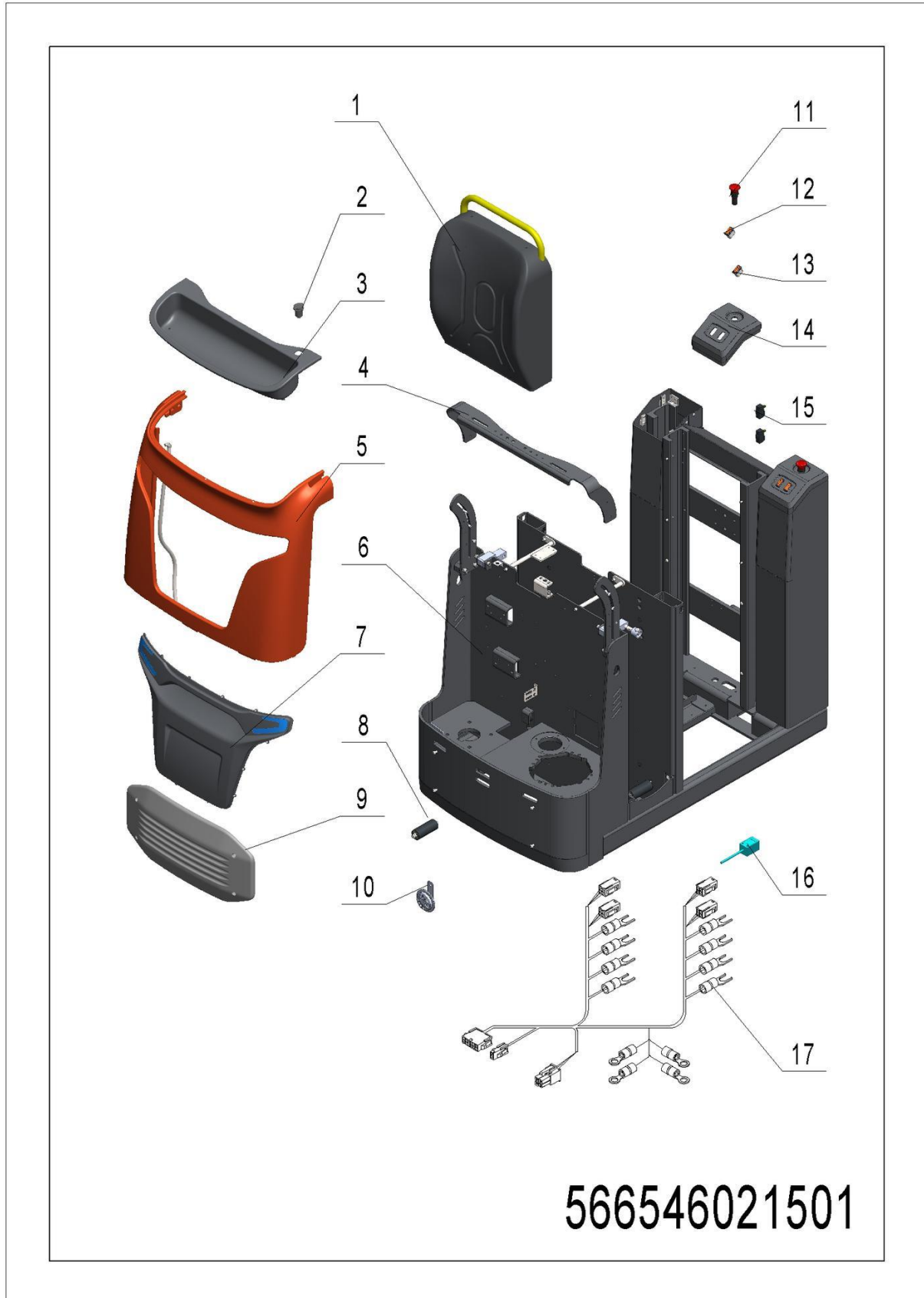
1= Supply as package 2= Supply with limit 3= Phasing out supply 4= Supply as assembly 5= Check other lists

04 Hydraulic power unit (5665460245002)

No.	Art No.	Mark	Description	Qty.	Substitute No.	Note
1	505798510004		Linking cable	1		
2	532098510002		Starting switch	1		
3	505798510006		Pressure-compensated valve	1		
4	505798510007		Overflow valve	1		
5	402698520020		Plug	1		
6	505798510012		One-way valve	1		
7	532098510006		Control valve	1		
8	505798510013		Carbon brush	4		
9	402698520010		Filter	1		
10	505798520010		Oil suction pipe	1		
11	505798520012		Oil return pipe	2		
12	910200200070		Bolt	2		
13	532098510000		Gear pump	1		
14	505798520008		Nut	4		
15	910800100088		O ring	1		
16	505798520014		Plug	1		
17	505798520015		Plug	1		
18	505798520005		Valve block	1		
19	910200200042		Bolt	4		
20	505798520018		Coupling	1		
21	532098510001		Motor	1		

Chapter 3: Truck structure

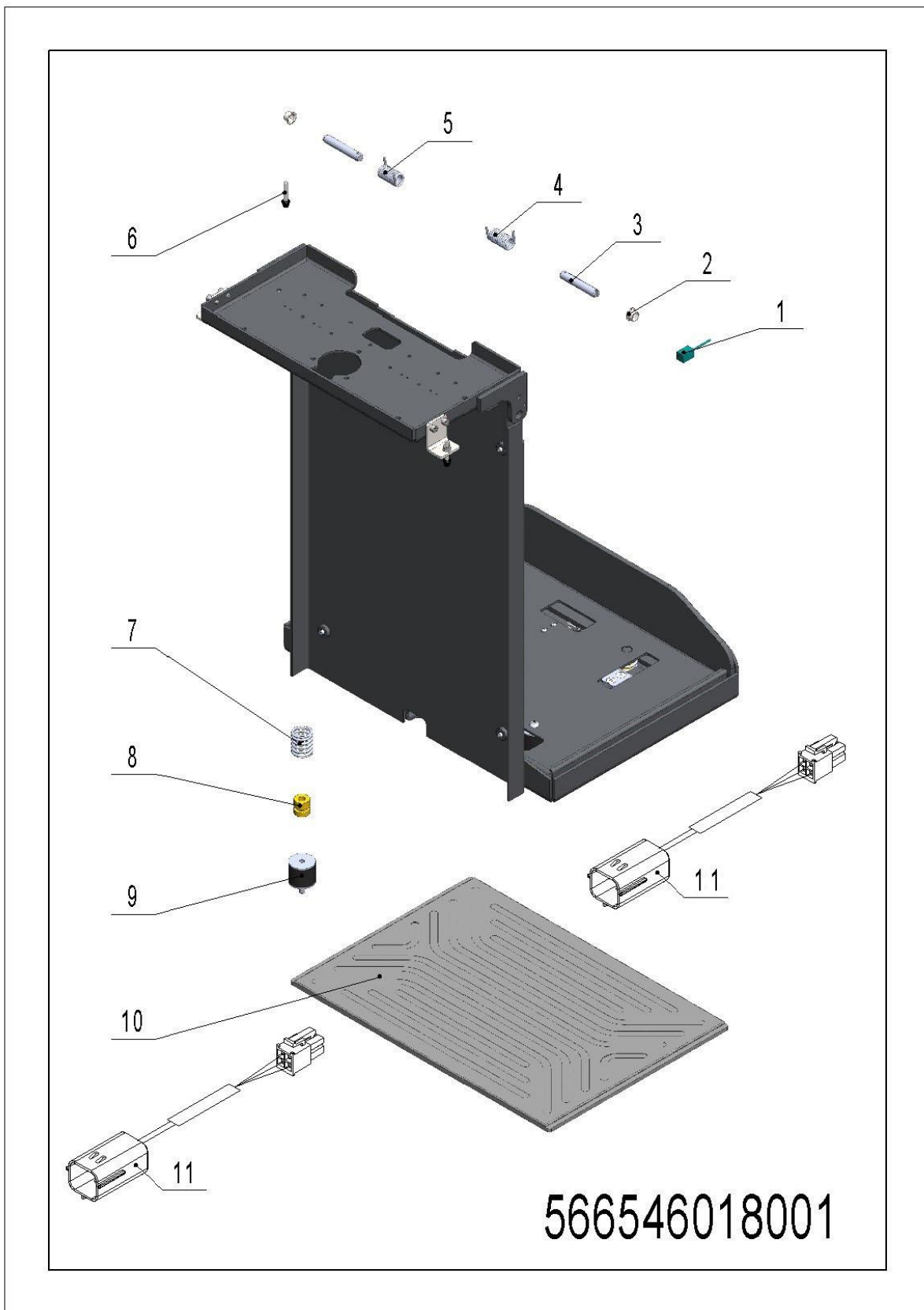
01 Truck frame (566546021501)



1= Supply as package 2= Supply with limit 3= Phasing out supply 4= Supply as assembly 5= Check other lists

01 Truck frame (566546021501)

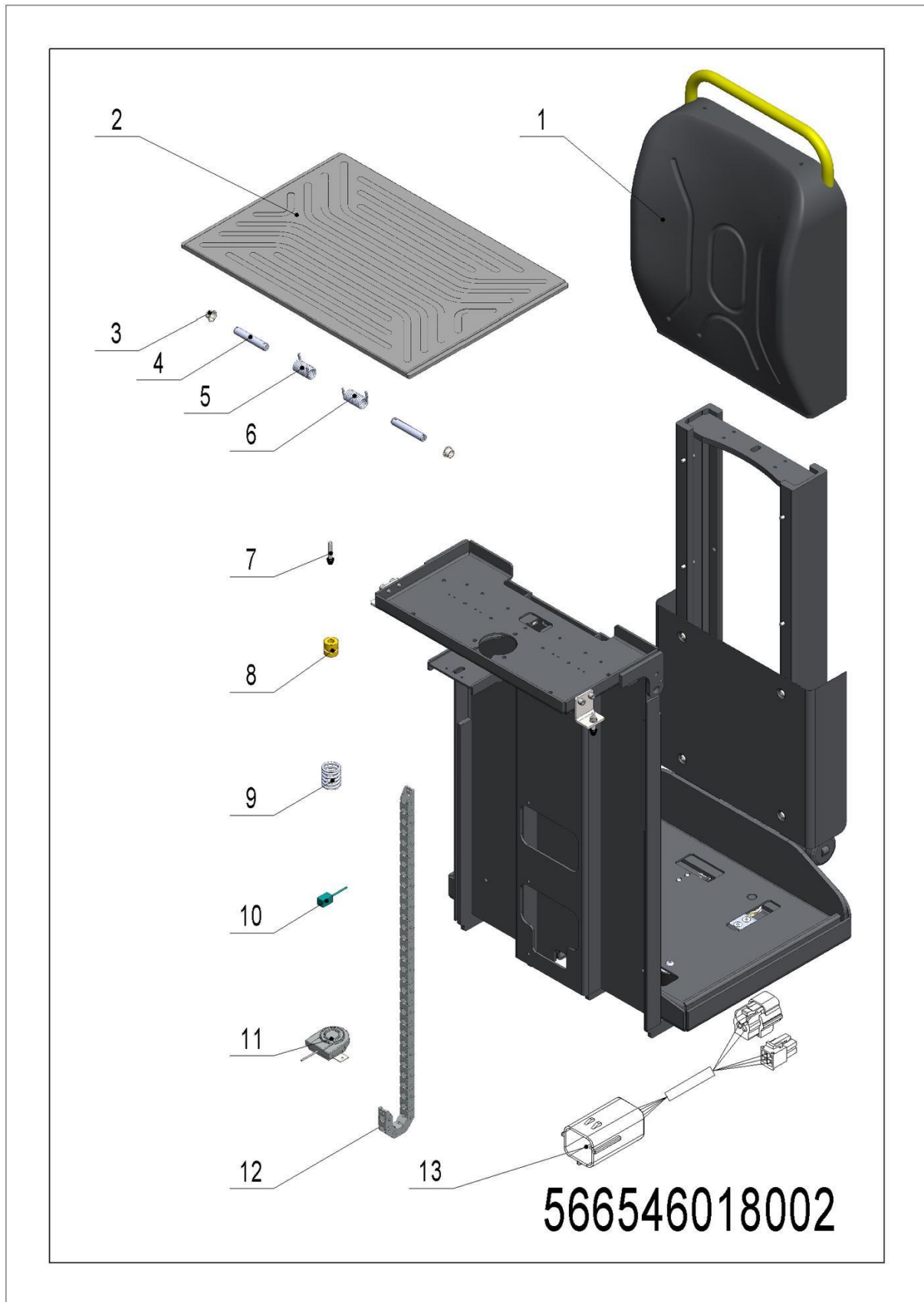
No.	Art No.	Mark	Description	Qty.	Substitute No.	Note
1	566521520081		Backrest	1		
2	921900100004		Converter (DC24V to 5V)	1		
3	566521520096		Storage compartment	1		
4	566521520070		Accessories' bracket	1		
5	566521520092		Front panel	1		
6	566521510000		Chassis welding (540)	1		
7	566521520093		Front decoration panel	1		
8	565921510005		Roller component	8		
9	566521520097		Bumper	1		
10	920500100001		Horn 125-DC24V	1		
11	920200100021		Emergency button CE4T-10R-02	2		
12	920200800005		Rocker button 3203-00092-OAJ	2		
13	920200800004		Rocker button 3203-00092-OV	2		
14	566521520098		Emergency button base	2		
15	920200300001		Microswitch XZ-15GW22-B	1		
16	505633510000		Proximity switch	1		Optional
17	566533010023		Jog switch wire harness	1		
17	566533010001		Jog switch wire harness	1		

02 Platform (566546018001)

1= Supply as package 2= Supply with limit 3= Phasing out supply 4= Supply as assembly 5= Check other lists

02 Platform (566546018001)

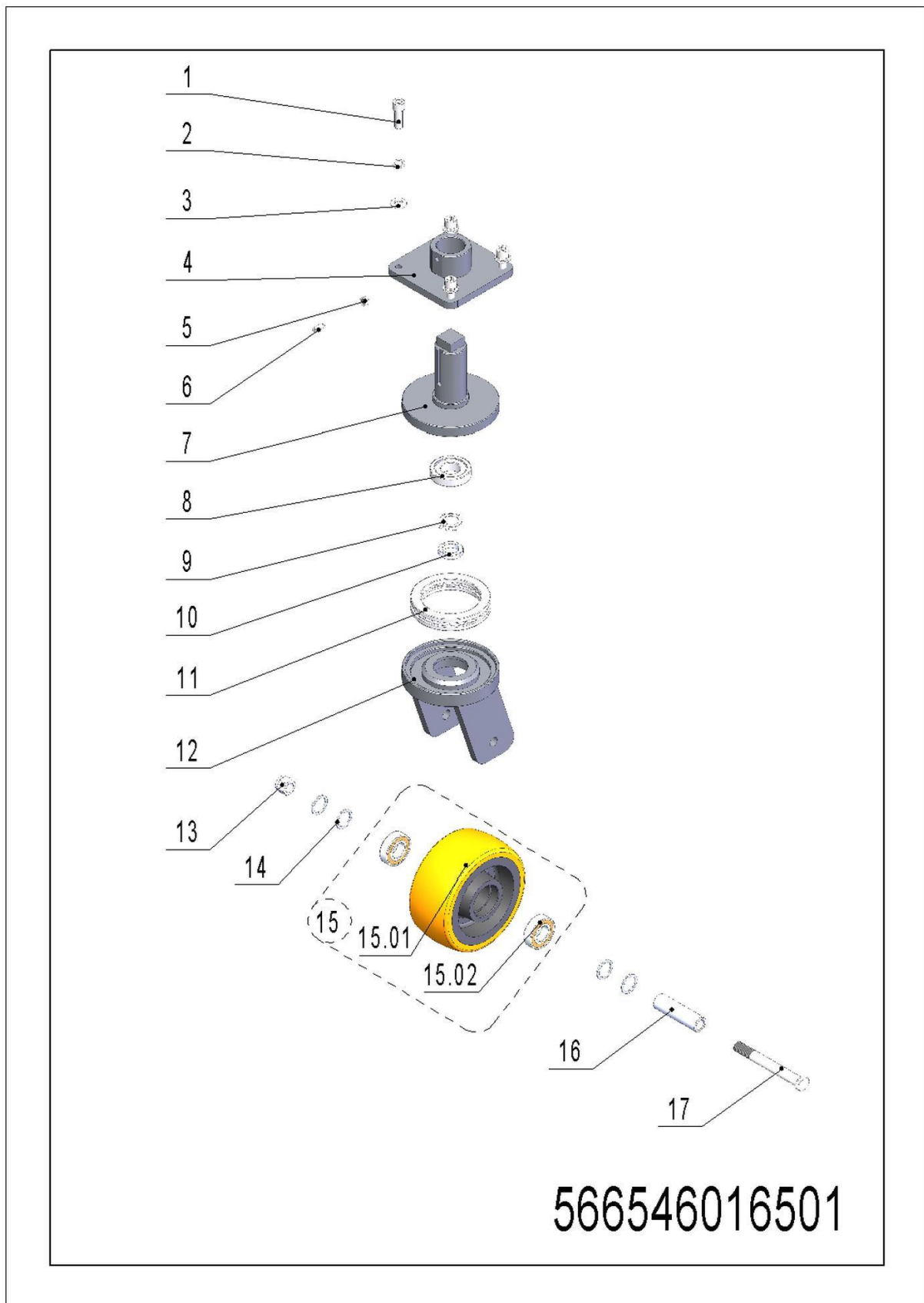
No.	Art No.	Mark	Description	Qty.	Substitute No.	Note
1	502311010001		Proximity switch NBN5-F7-E2	1		
2	940500200018		Bushing (with shoulder) Φ 16x Φ 18x12	2		
3	566518020030		Axle Φ 16x90	2		
4	566518020031		Left torsion spring Φ 22x Φ 4x50	1		
5	566518020032		Right torsion spring Φ 22x Φ 4x50	1		
6	566518020086		Buffer washer M8x54	2		
7	940400500004		Spring Φ 40x Φ 5x55	2		
8	566518020033		Buffer washer Φ 30x Φ 13x31	2		
9	566518020088		Damper	2		
10	566518020093		Rubber mat	1		
11	566533010024		Interlock switch wire harness	1		T50N, OPL25N/12/20SF
11	567433010009		Interlock switch wire harness	1		T30N

03 Platform (566546018002)

1= Supply as package 2= Supply with limit 3= Phasing out supply 4= Supply as assembly 5= Check other lists

03 Platform (566546018002)

No.	Art No.	Mark	Description	Qty.	Substitute No.	Note
1	566521520081		Backrest	1		
2	566518020093		Rubber mat	1		
3	940500200018		Bushing (with shoulder) $\Phi 16 \times \Phi 18 \times 12$	2		
4	566518020030		Axle $\Phi 16 \times 90$	2		
5	566518020032		Right torsion spring $\Phi 22 \times \Phi 4 \times 50$	1		
6	566518020031		Left torsion spring $\Phi 22 \times \Phi 4 \times 50$	1		
7	566518020086		Buffer washer M8x54	2		
8	566518020033		Buffer washer $\Phi 30 \times \Phi 13 \times 31$	2		
9	940400500004		Spring $\Phi 40 \times \Phi 5 \times 55$	2		
10	502311010001		Proximity switch NBN5-F7-E2 (80mm)	1		
11	566533010018		Pedal switch	1		
12	566533010020		Towing chain	1		
13	566533010004		Interlock wire harness	1		

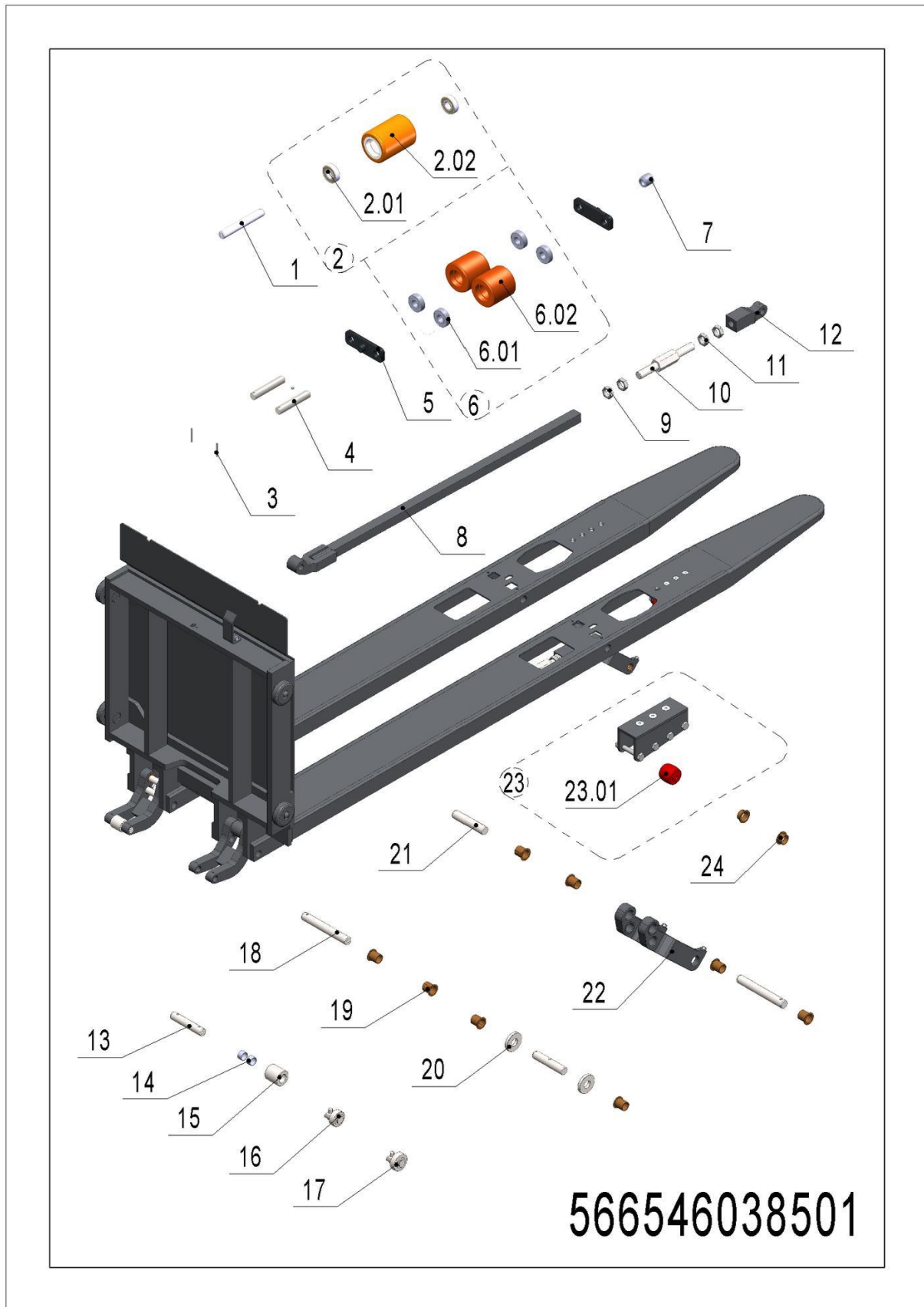
04 Side wheel (566546016501)

1= Supply as package 2= Supply with limit 3= Phasing out supply 4= Supply as assembly 5= Check other lists

04 Side wheel (566546016501)

No.	Art No.	Mark	Description	Qty.	Substitute No.	Note
1	910200200099		Screw GB70.1-M12x35-8.8	4		
2	910400500008		Spring washer GB93-12	4		
3	910400100008		Flat washer GB97.1-12-200HV	4		
4	566516510002		Linking plate welding	1		
5	910300100006		Nut GB6170-M8-10	1		
6	910201000012		Screw GB79-M8x20-45H	1		
7	566516510001		Pivot welding	1		
8	910700600002		Bearing GB297-30206	1		
9	910400900004		Lock washer GB858-24	1		
10	910300700001		Nut GB810-M24x1.5	1		
11	910700700003		Bearing GB301-51118	1		
12	566516510000		Side wheel frame welding	1		
13	910300500008		Nut GB889.1-M16-10	1		
14	940600500006		Washer $\Phi 32 \times \Phi 25 \times 2$	4		
15	566598510001		Side wheel kits	1		
15.01	940300300013		Wheel $\Phi 180 \times 80$ (PU)	1		
15.02	910700200020		Bearing GB276-6205-2RS	2		
16	566516520006		Axle sleeve	1		
17	566516520007		Axle $\Phi 16 \times 135$	1		

05 Fork carriage (566546038501)



1= Supply as package 2= Supply with limit 3= Phasing out supply 4= Supply as assembly 5= Check other lists

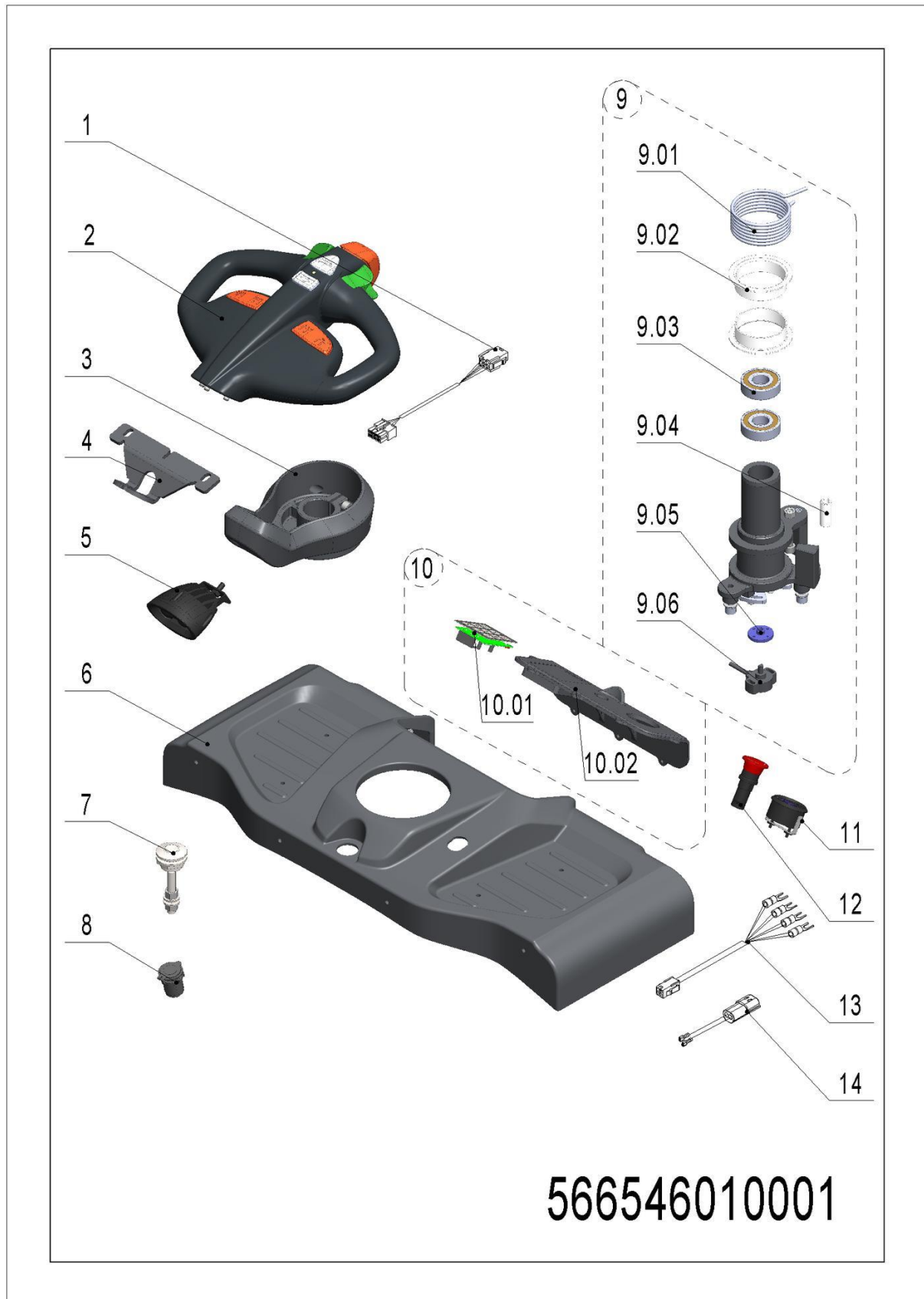
05 Fork carriage (566546038501)

No.	Art No.	Mark	Description	Qty.	Substitute No.	Note
1	566517020002		Axle Φ 20x138	2		
2	505698510004		Roller kits	2		
2.01	910700200019		Bearing GB276-6204-2RS	4		
2.02	940300300006		Roller Φ 82x110(PU)	2		
3	910600500005		Spring rolled pin ISO8748-5x40	4		
4	505617020000		Pivot Φ 20x109	4		
5	566517020000		Linking plate	4		
6	505698510003		Roller kits	4		
6.01	910700200019		Bearing GB276-6204-2RS	4		
6.02	940300300008		Roller Φ 82x82-145842	4		
7	911200100001		Grease cup JB7940.4-6 (stainless steel)	4		
8	566538510001		Pull rod welding	2		
9	910300400011		Nut GB6173-M24x2-05	4		
10	566538520033		Adjusting rod	2		
11	910300400015		Nut GB6173-M24x2-05	4		
12	566538520035		Linking block (AUS)	2		
13	566538520055		Roller axle Φ 20x102	2		
14	940500100012		Bushing Φ 20x Φ 22x12-SF-1	4		
15	566538520056		Roller Φ 40x Φ 22x42	2		
16	566538510004		Exit roller kit Φ 40x Φ 23x15	2		Optional
17	566538510003		Exit roller kit Φ 45x Φ 23x15	2		Optional
18	566538520054		Pull rod axle Φ 20x145	4		
19	940500200042		Bushing (with shoulder) Φ 20x Φ 23x25	16		
20	566538520057		Exit roller Φ 48x Φ 20.1x7.5	4		
21	566538520053		Axle Φ 20x96	2		
22	566538520049		Frame of roller	2		
23	566538510005		Entry roller (AUS)	2		Optional
23.01	506238520041		Entry roller	8		
24	940500200040		Bushing (with shoulder) Φ 20x Φ 23x12	4		

1= Supply as package 2= Supply with limit 3= Phasing out supply 4= Supply as assembly 5= Check other lists

Chapter 4: Steering system, braking system, wheels

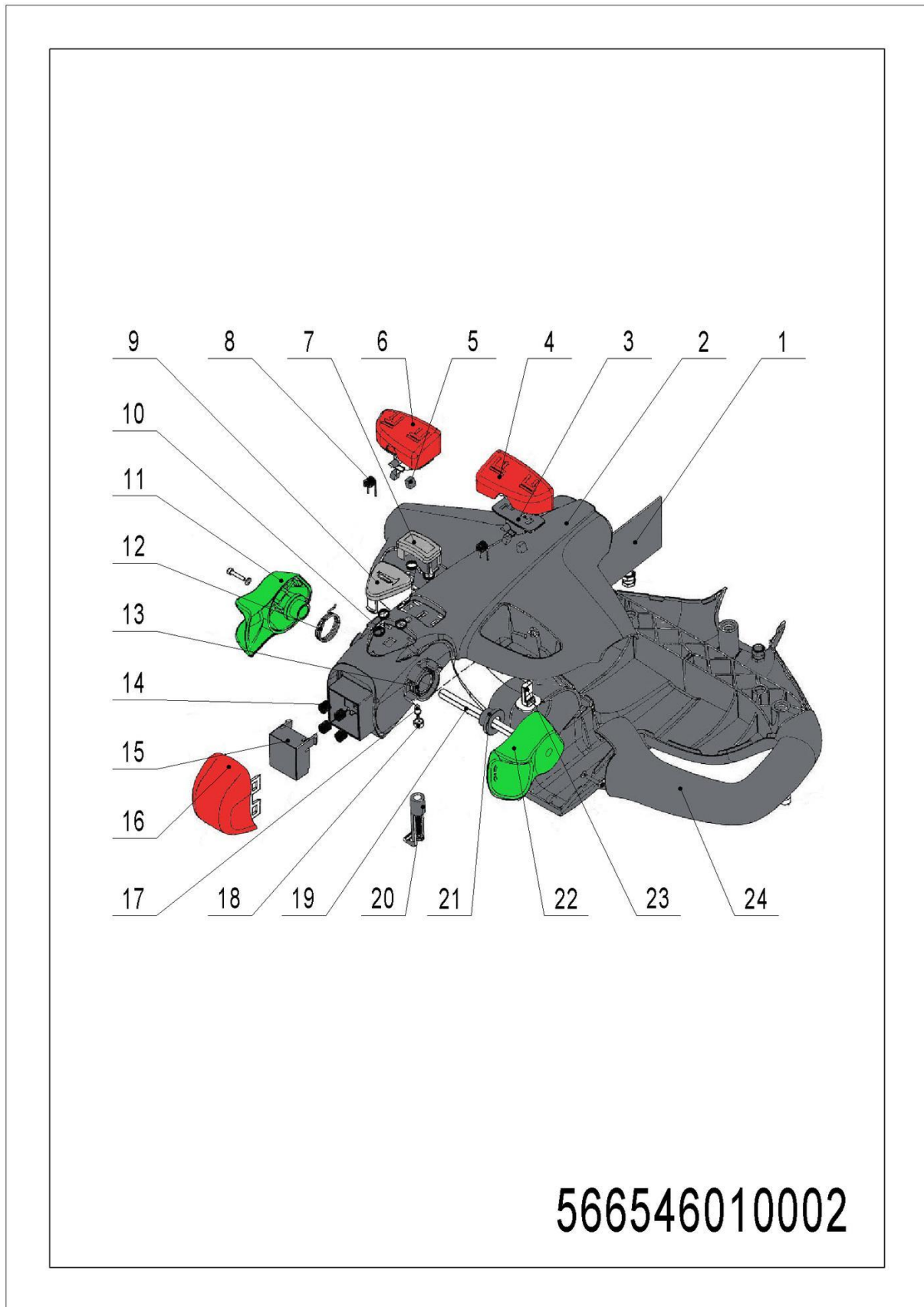
01 Operating panel (566546010001)



1= Supply as package 2= Supply with limit 3= Phasing out supply 4= Supply as assembly 5= Check other lists

01 Operating panel (566546010001)

No.	Art No.	Mark	Description	Qty.	Substitute No.	Note
1	566533010003		Tiller wire harness	1		
2	922100100007		Tiller 94300-90 (REMA)	1		
3	566511020000		Linking plate	1		
4	566531520009		Linking base	1		
5	566534510001		Blue-ray light	1		
6	566518020090		Top panel	1		
7	566518010011		Lock catch M12x100	1		
8	921900100006		Converter (DC24V to 5V)	1		
9	566531501000		Electric steering unit	1		
9.01	566531520006		Spring $\Phi 70 \times \Phi 3.5 \times 37$	1		
9.02	566531520004		Axle sleeve	2		
9.03	910700200019		Bearing GB276-6204-2RS	2		
9.04	566531520005		Push rod sleeve (PA)	1		
9.05	565931520005		Linking block	1		
9.06	565933510000		Potentiometer	1		
10	566598510002		Indicator support assembly	1		
10.01	566533010021	2	Pin-code lock DTK00005C	1		
10.02	566518020091	2	Indicator support	1		
11	921100100076		Indicator 003401-89017AAA	1		T30N
11	921100100077		Indicator 003402-89017AAA	1		T50N,OPL25/12/20SF
12	920200100021		Emergency button CE4T-10R-02	1		
13	566533010019		Emergency button wire harness	1		
14	566533010026		USB wire harness	1		

02 Tiller head (566546010002)

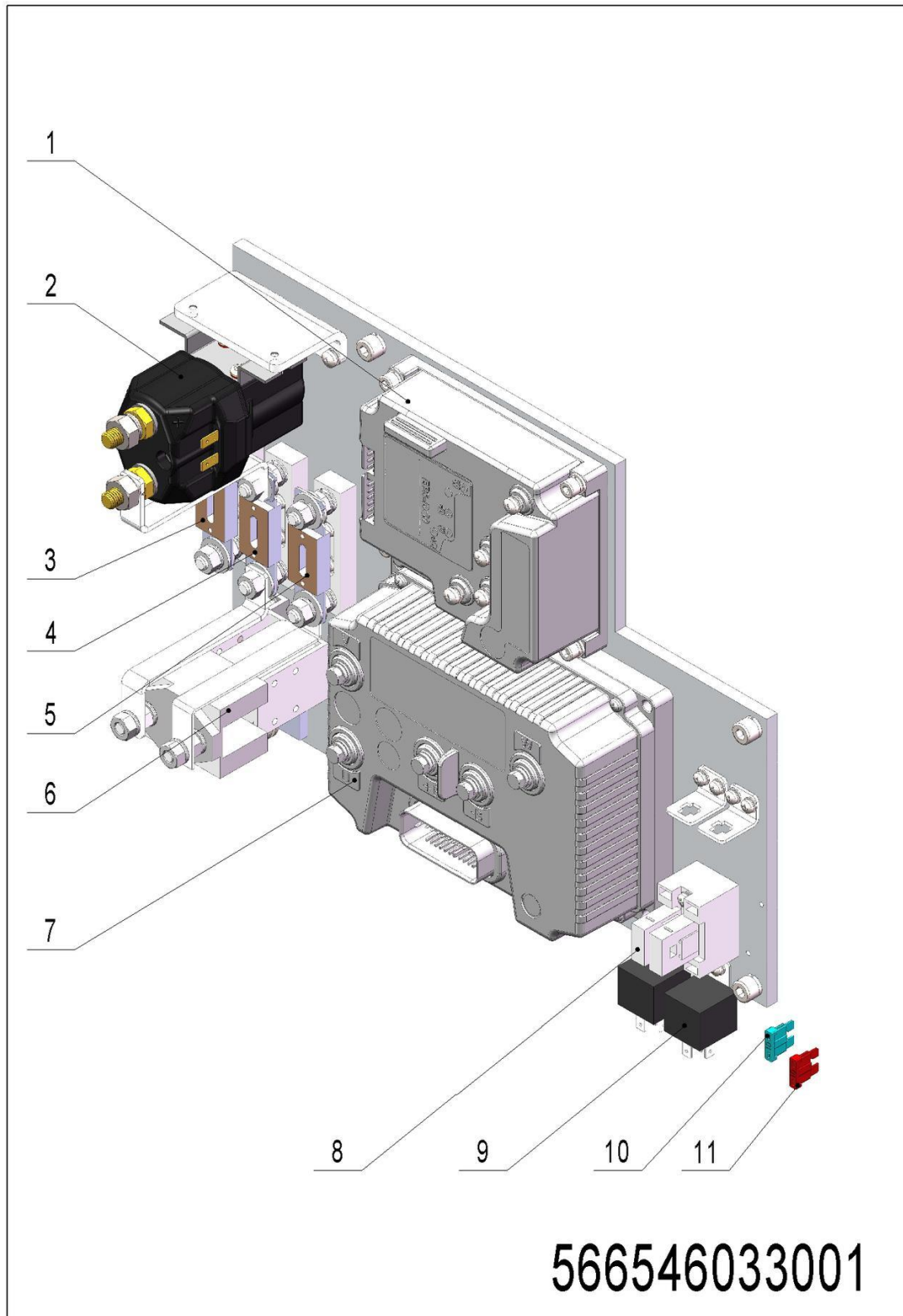
1= Supply as package 2= Supply with limit 3= Phasing out supply 4= Supply as assembly 5= Check other lists

02 Tiller head (566546010002)

No.	Art No.	Mark	Description	Qty.	Substitute No.	Note
1	505698520028		PCB	1		
2	505698520014		Tiller upper part	1		
3	505698520017		Magnetic support	2		
4	505698520022		Right button	1		
5	505698520005		Magnet	4		
6	505698520016		Left button	1		
7	505698520021		Turtle speed switch	1		
8	505698520018		Torsion spring	2		
9	505698520002		Horn button	1		
10	505698520003		Horn button spring	5		
11	505698520001		Left drive knob	1		
12	505698520027		Left drive knob torsion spring	1		
13	505698520026		Right drive knob torsion spring	1		
14	505698520006		Emergency button spring	4		
15	505698520019		Emergency button base	1		
16	505698520020		Emergency button cover	1		
17	505698520024		LED bi-color lamp	1		
18	505698520025		LED bi-color lamp holder	1		
19	505698520011		Drive knob axle	1		
20	505698520012		PCB clamp	1		
21	505698520004		Camshaft bushing	2		
22	505698520010		Right drive knob	1		
23	505698520013		Sensor	2		
24	505698520015		Tiller bottom part	1		

Chapter 5: Electrical parts

01 Electronic control components (566546033001)

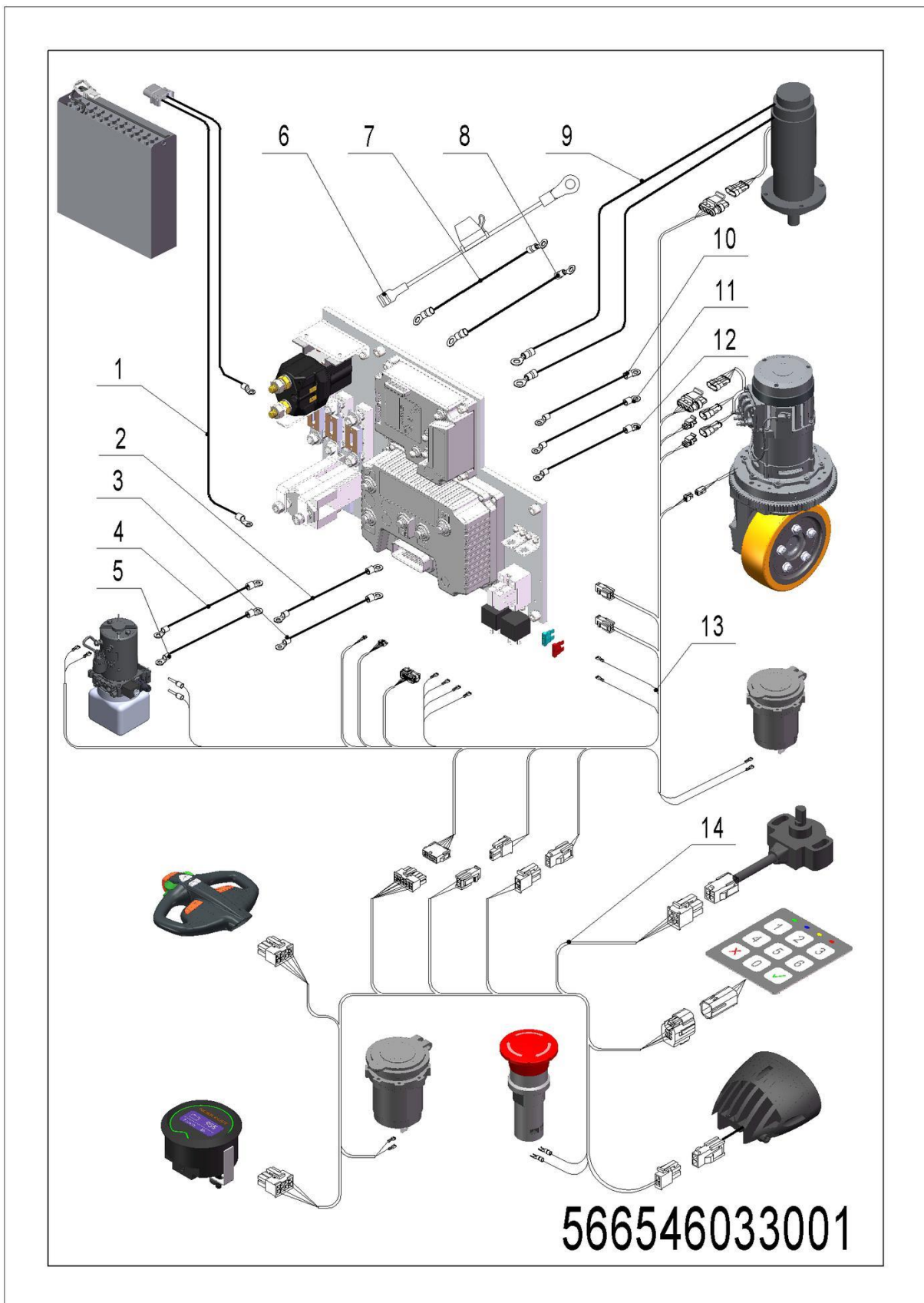


1= Supply as package 2= Supply with limit 3= Phasing out supply 4= Supply as assembly 5= Check other lists

01 Electronic control components (566546033001)

No.	Art No.	Mark	Description	Qty.	Substitute No.	Note
1	921400100030		Controller EPS-DC0-24V-50A	1		
2	920700100015		Contacteur DC 24V350A	1		
3	920100100008		Fuse 200A (plastic)	1		
4	920100100013		Fuse 350A (plastic)	1		
5	920100100001		Fuse 30A (plastic)	1		
6	920700100002		Contacteur DC 24V-SW180B-4	1		
7	921400100026		Controller ACE0-24V320A	1		
8	920100400005		Fuse holder BD-2x10A-1	1		
9	920800100011		Relay CMA36-S-DC24V	2		
10	920100200003		Fuse 15A	1		
11	920100200002		Fuse 10A	1		

02 Wire harness assembly (566546033002)



1= Supply as package 2= Supply with limit 3= Phasing out supply 4= Supply as assembly 5= Check other lists

02 Wire harness assembly (566546033002)

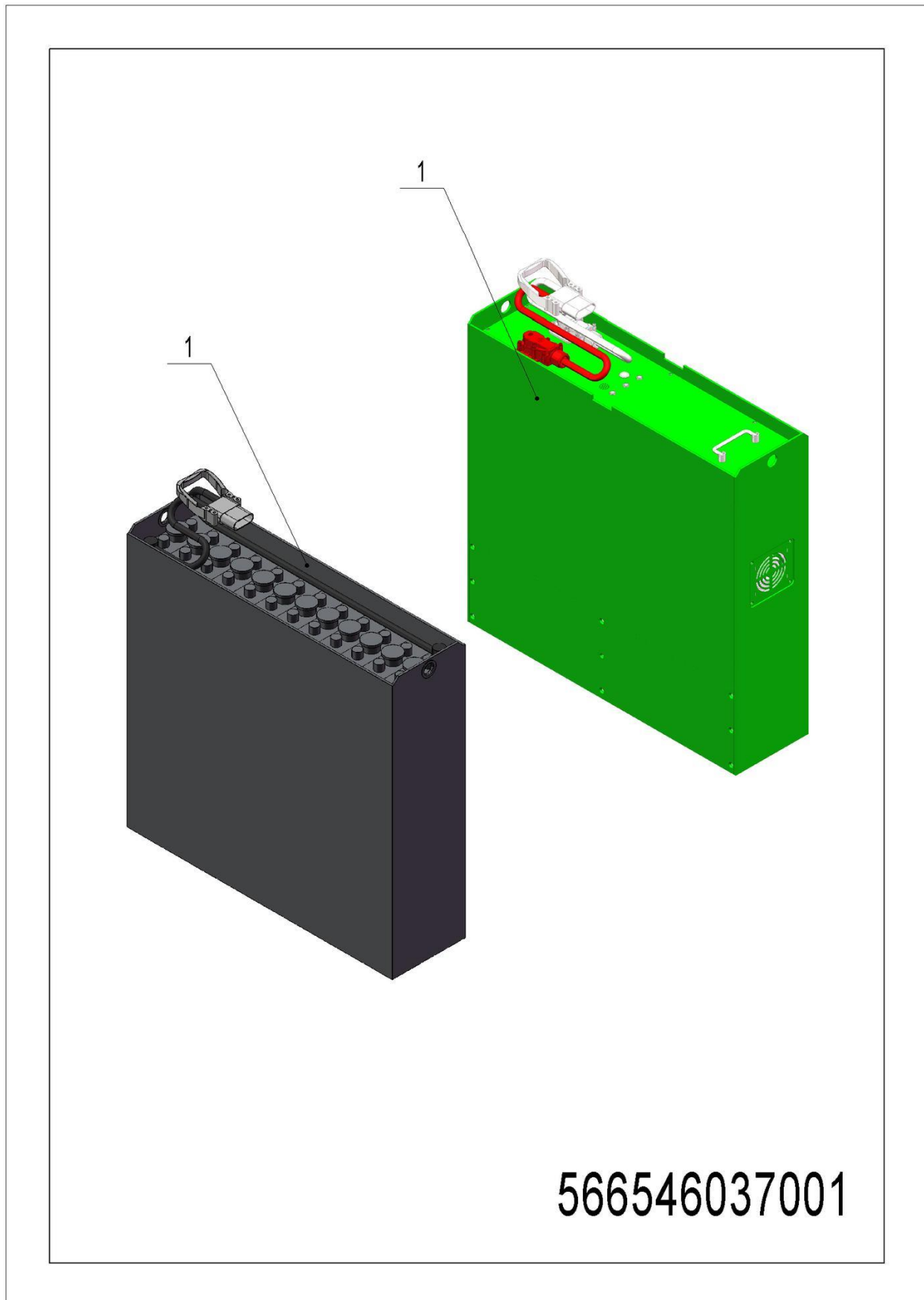
No.	Art No.	Mark	Description	Qty.	Substitute No.	Note
1	566533010012		Main power wire harness	1		
1	566533010025		Main power wire harness+Li	1		Lithium battery
2	566533010009		Cable-T+25-6-8-300	1		
3	566533010017		Cable-B-25-6-8-320	1		
4	566533010010		Cable-FP-25-8-8-400	1		
5	566533010011		Cable-E2-25-8-8-300			
6	566533010016		Contactor wire harness	1		
7	566533010013		Cable-BS+6-5-8-170	1		
8	566533010014		Cable-BS-6-5-8-350	1		
9	566533010008		Steering motor wire harness	1		
10	566533010005		Cable-UT-25-6-8-600	1		
11	566533010006		Cable-VT-25-6-8-700	1		
12	566533010007		Cable-WT-25-6-8-800	1		
13	566533010022		Main control wire harness	1		
13	566533010000		Main control wire harness	1		Low lift platform
14	566533010002		Platform wire harness	1		Low lift platform
14	566533010027		Platform wire harness	1		

03 Charger (566546036501)

1= Supply as package 2= Supply with limit 3= Phasing out supply 4= Supply as assembly 5= Check other lists

03 Charger (566546036501)

No.	Art No.	Mark	Description	Qty.	Substitute No.	Note
1	921000200073		Charger SN24V60A (Asia-CHN)	1		
1	921000200074		Charger SN24V60A (Asia-EN)	1		
1	921000200075		Charger SN24V60A (EU)	1		
1	921000200076		Charger SN24V60A (EN)	1		
1	921000200077		Charger SN24V60A (AUS)	1		
1	921000200078		Charger SN24V60A (US)	1		
1	921000200483		Lithium battery charger 24V150A	1		Overseas market (Li)
1	921000200437		Lithium battery charger 24V150A (Asia-CHN)	1		Domestic market (Li)

04 Traction battery (566546037001)

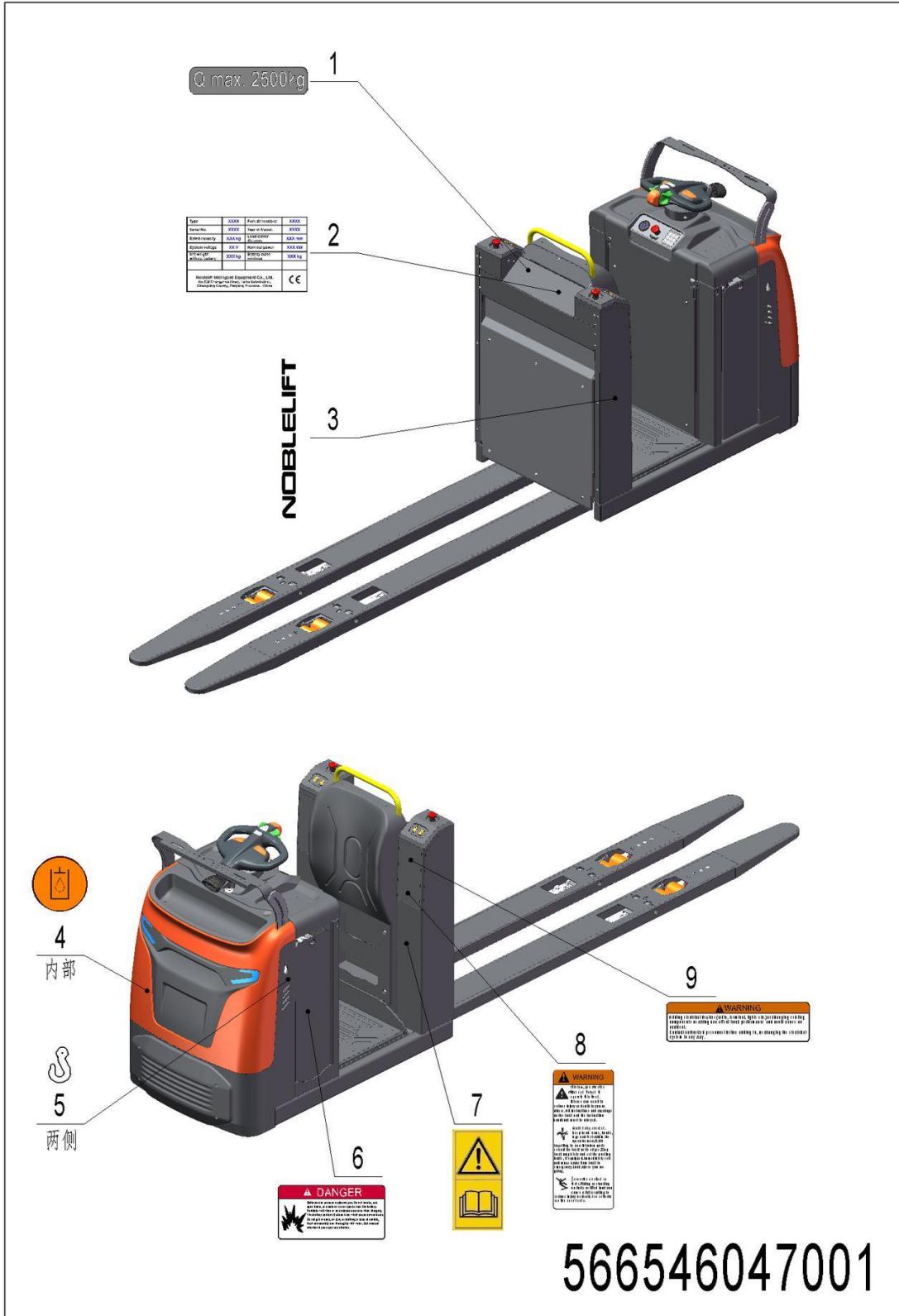
1= Supply as package 2= Supply with limit 3= Phasing out supply 4= Supply as assembly 5= Check other lists

04 Traction battery (566546037001)

No.	Art No.	Mark	Description	Qty.	Substitute No.	Note
1	920600100117		Lithium battery 24V300Ah1HR-3	1		Optional
1	566537010000		Battery assembly 24V465AH	1		

Chapter 6: Others

01 Labels and decals (US) (566546047001)

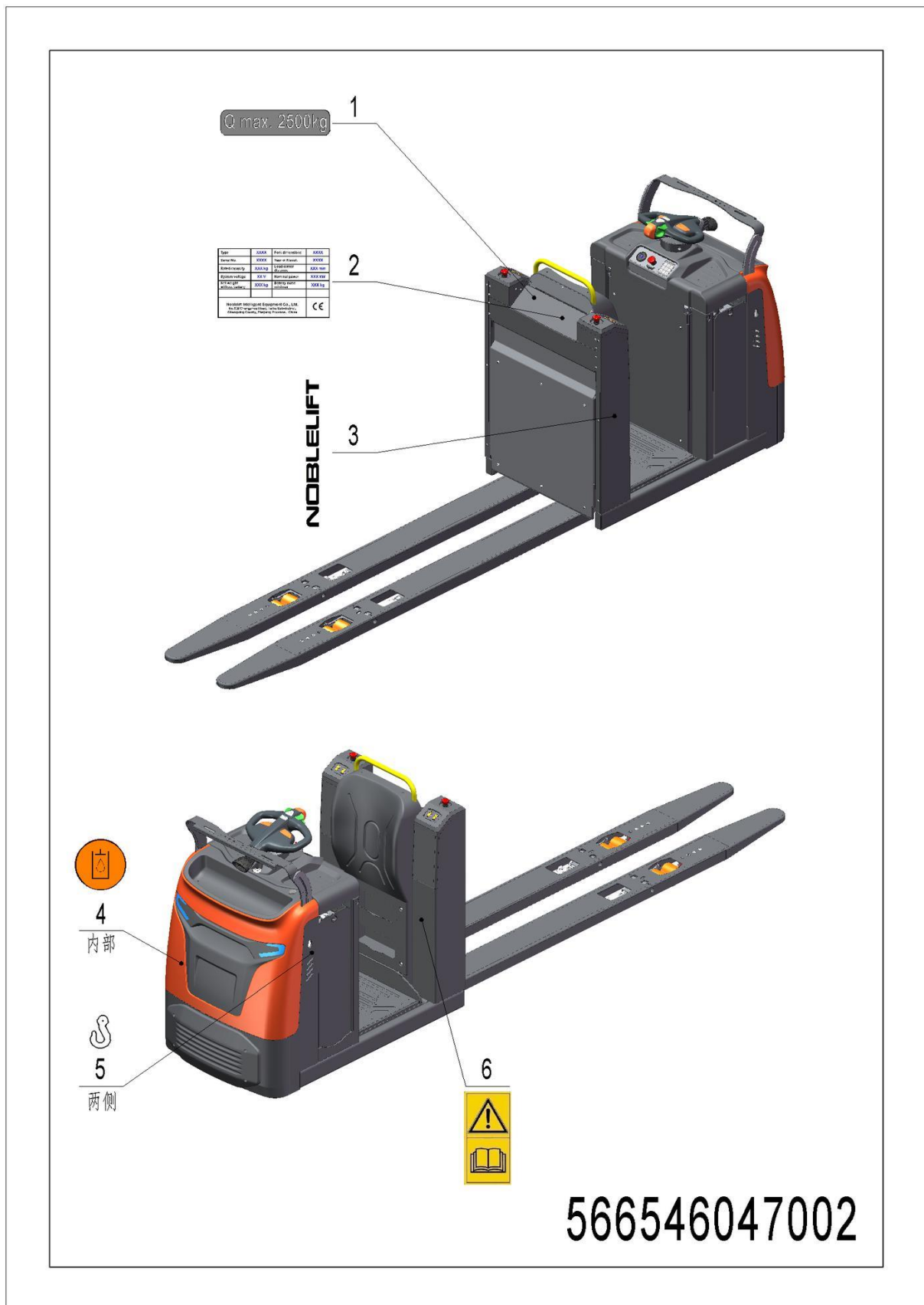


1= Supply as package 2= Supply with limit 3= Phasing out supply 4= Supply as assembly 5= Check other lists

01 Labels and decals (US) (566546047001)

No.	Art No.	Mark	Description	Qty.	Substitute No.	Note
1	941200200011		Label (load capacity 2500kg)	1		
2	566547020003		Label (CE mark)	1		
3	941200500001		Label (NOBLELIFT)	2		Optional
4	941200300003		Label (oil filling)	1		
5	941200300001		Label (crane hook)	2		
6	941200100013		Warning label (read the manual)	1		
7	941200300002		Label (read the manual)	1		
8	941200100009		Warning label	1		
9	941200100010		Warning label	1		

02 Labels and decals (EU) (566546047002)



1= Supply as package 2= Supply with limit 3= Phasing out supply 4= Supply as assembly 5= Check other lists

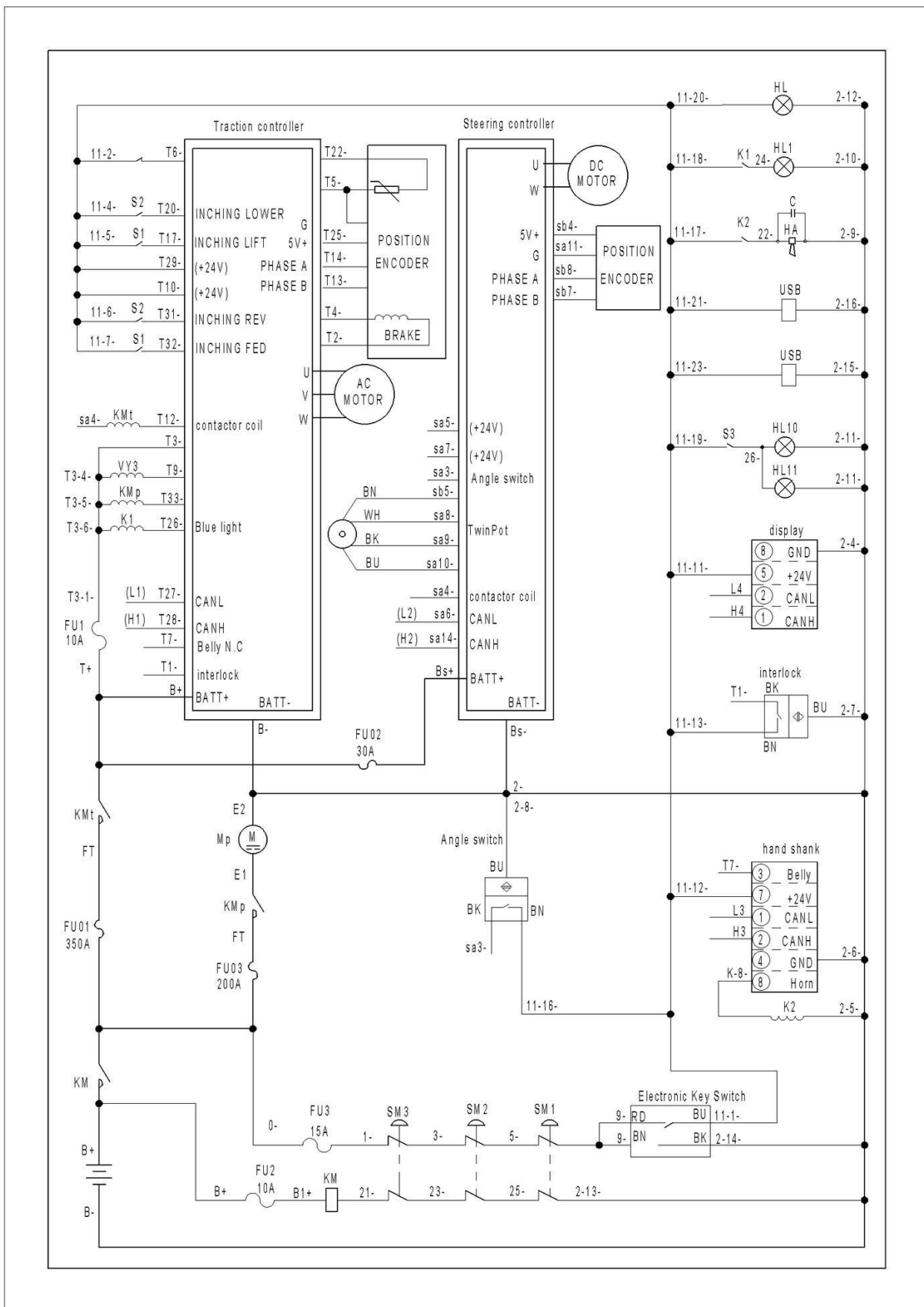
02 Labels and decals (EU) (566546047002)

No.	Art No.	Mark	Description	Qty.	Substitute No.	Note
1	941200200011		Label (capacity 2500kg)	1		
2	566547020003		Label (CE mark)	1		
3	941200500001		Label (NOBLELIFT)	2		Optional
4	941200300003		Label (oil filling)	1		
5	941200300001		Label (crane hook)	2		
6	941200300002		Label (read the manual)	1		

1= Supply as package 2= Supply with limit 3= Phasing out supply 4= Supply as assembly 5= Check other lists

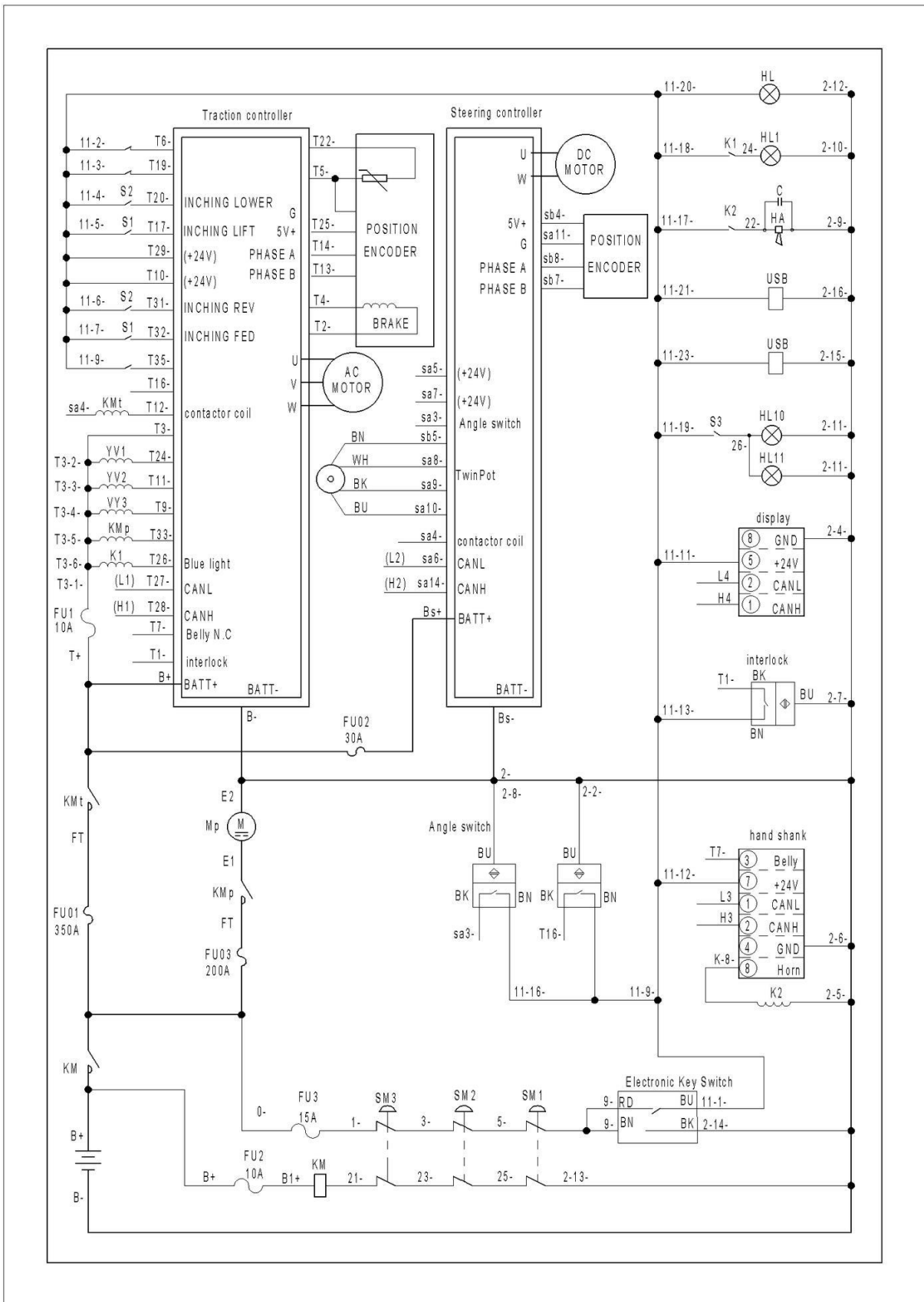
Appendix

01 Electrical circuit diagram (standard)



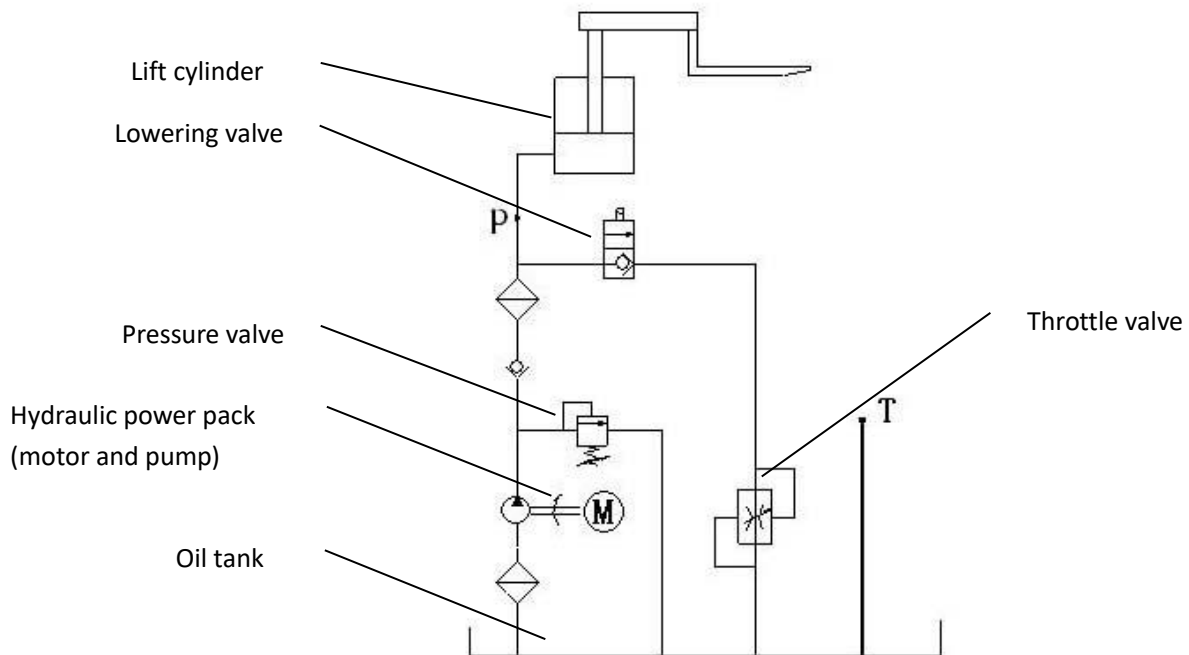
1= Supply as package 2= Supply with limit 3= Phasing out supply 4= Supply as assembly 5= Check other lists

02 Electrical circuit diagram (optional)



1= Supply as package 2= Supply with limit 3= Phasing out supply 4= Supply as assembly 5= Check other lists

03 Hydraulic circuit diagram



04 Easy worn parts list

No.	Art No.	Mark	Description	Qty.	Substitute No.	Note
1	940300400002		Drive wheel $\Phi 250 \times 82-154005$	1		
2	951000100003		Pipe clamp YGE rubber coating 15	5		
3	505798510001		Seal kits	1		
4	566598510000		Seal kits	1		
5	921900100004		Converter (DC24V to 5V)	1		
6	920200300001		Proximity switch XZ-15GW22-B	1		
7	502311010001		Proximity switch NBN5-F7-E2(80mm)	1		
8	940500200018		Bushing (with shoulder) $\Phi 16 \times \Phi 18 \times 12-SF-1$	2		
9	566518020031		Left torsion spring $\Phi 22 \times \Phi 4 \times 50$	1		
10	566518020032		Right torsion spring $\Phi 22 \times \Phi 4 \times 50$	1		
11	566518020086		Buffer washer M8x54	2		
12	940400500004		Spring $\Phi 40 \times \Phi 5 \times 55$	2		
13	566518020033		Buffer washer $\Phi 30 \times \Phi 13 \times 31$	2		
14	566518020088		Damper	2		
15	910700600002		Beraing GB297-30206	1		
16	910700700003		Beraing GB301-51118	1		
17	566598510001		Side wheel kits	1		
18	940500100012		Bushing $\Phi 20 \times \Phi 22 \times 12-SF-1$	4		
19	940500200042		Bushing (with shoulder) $\Phi 20 \times \Phi 23 \times 25$	16		
20	940500200040		Bushing (with shoulder) $\Phi 20 \times \Phi 23 \times 12$	4		
21	506238520041		Entry roller	4		
22	505698510004		Roller kits	2		
23	505698510004		Roller kits	2		
24	911200100001		Grease cup JB7940.4-6 (stainless steel)	2		
25	566518010011		Lock catch M12x100	1		
26	566531520006		Torsion spring $\Phi 70 \times \Phi 3.5 \times 37$	1		
27	566531520004		Axle sleeve	2		
28	566531520005		Push rod sleeve	1		
29	565931520005		Linking block	1		
30	921800200006		Potentiometer RPAZ052	1		
31	920100100008		Fuse 200A (plastic)	1		
32	920100100013		Fuse 350A (plastic)	1		
33	920100100001		Fuse 30A (plastic)	1		
34	920100200003		Fuse 15A	1		
35	920100200002		Fuse 10A	1		

1= Supply as package 2= Supply with limit 3= Phasing out supply 4= Supply as assembly 5= Check other lists